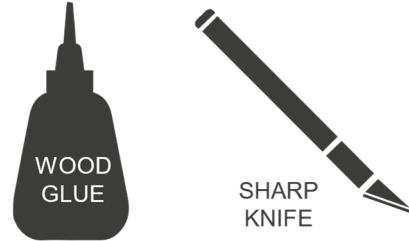


Vertical Modular Paint Storage Instructions

You will Need.



Parts

The Paint Storage is composed of:

- Five (5) detachable boards for 26mm or mixed paint bottles.
- Six (6) detachable boards for 36mm paint bottles.

To detach the parts please press gently but firmly on the pieces with an inwards motion, if the parts do not detach easily then use a sharp knife to carefully cut along the edges of the piece.

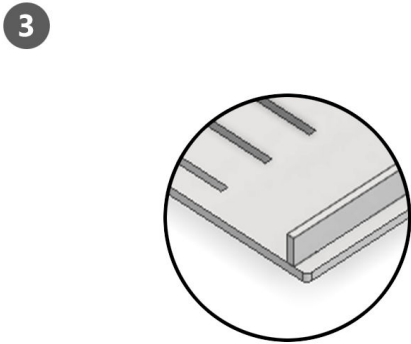
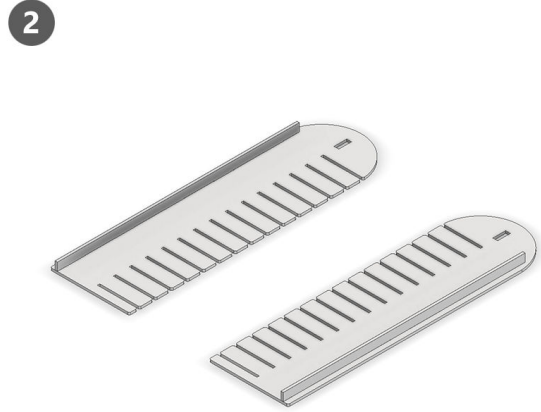
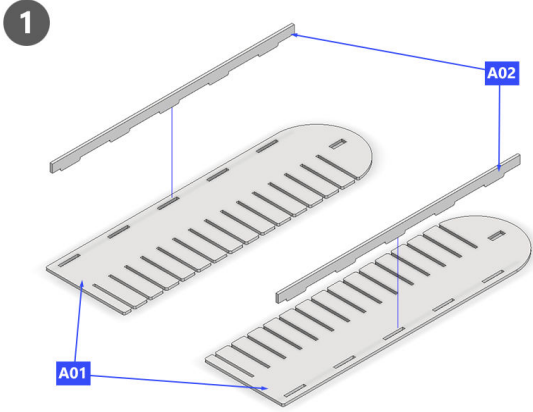
Each Piece is Marked with a Letter and a Number referred during the Assembly

Warning: Use preferencialy PVA glue on all wood to wood contact surfaces.

Some parts do not require Glue and can be interchaged if needed.

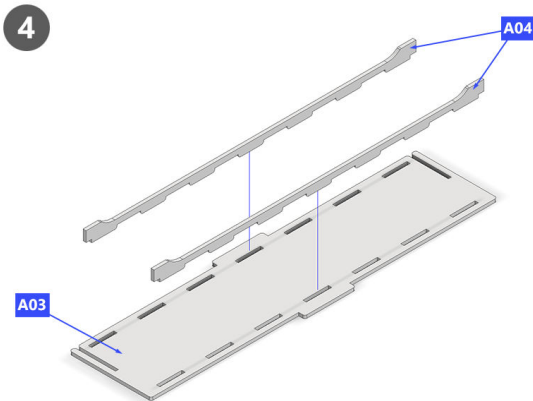
Assembly instructions

Side Plates



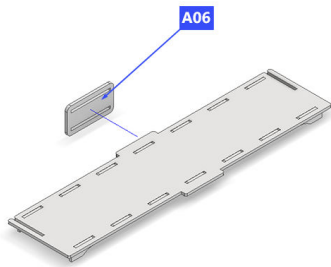
Modular Bases

- 4x on 36mm and Mixed patterns.
- 3x on 26mm pattern.

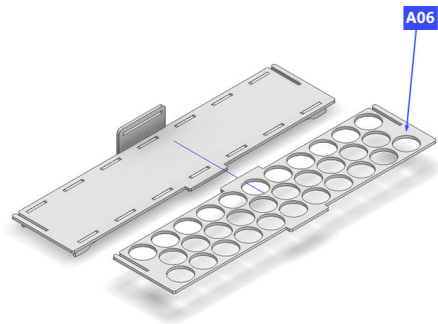


36mm or 26mm Shelf (Uses Modular bases)

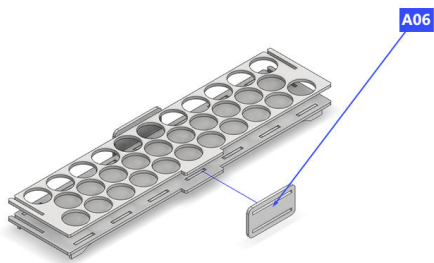
6



7



8

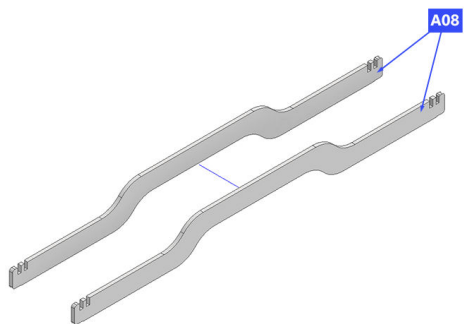


9

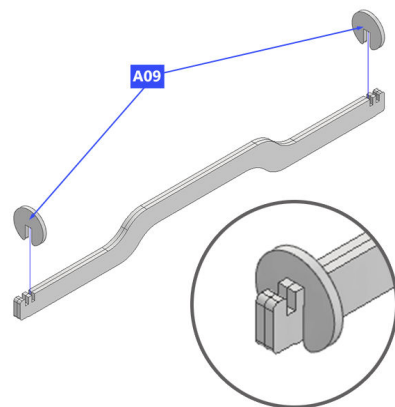


Handle

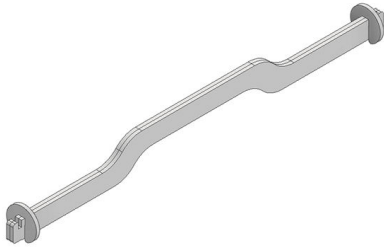
10



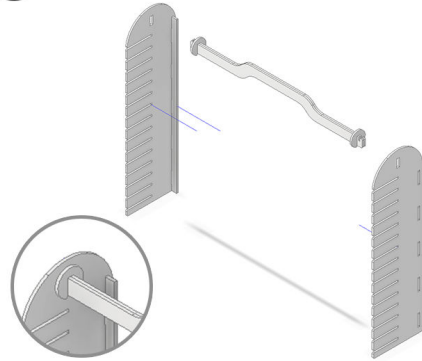
11



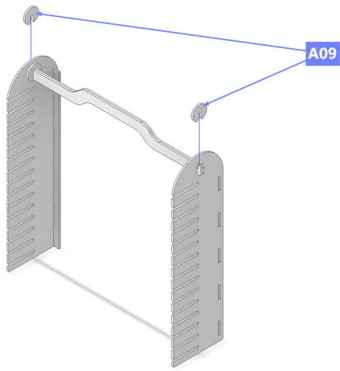
12



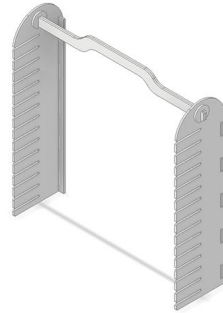
13



14



15



Shelves Assembly

The Shelves do not require glue, they can be assembled by slide fitting the previous built on steps 4 to 8 on the finished structure.

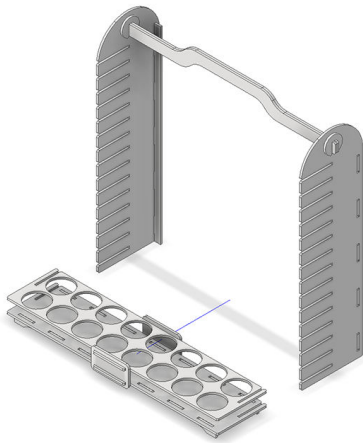
The use of glue will strengthen the structure but will make the shelves position permanent, if using glue please assemble the structure first without glue to make sure everything is in place, and then apply the glue.



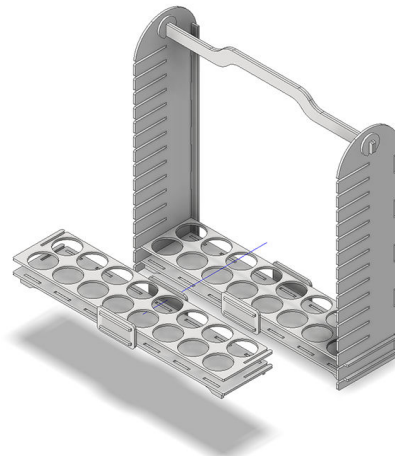
Shelves (36 mm bottles)

The bottom Shelves slide into positions 1, 5, 9, 13

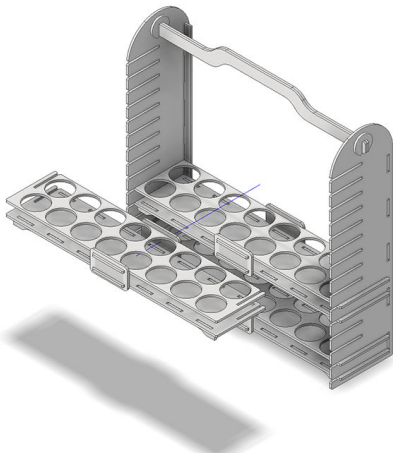
A1



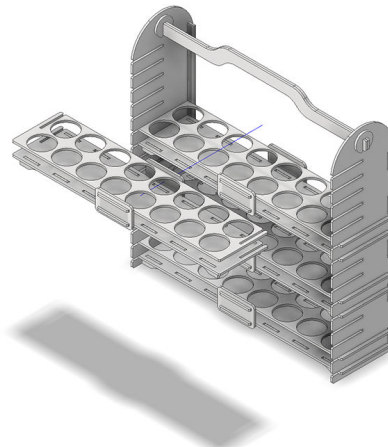
A2



A3



A4



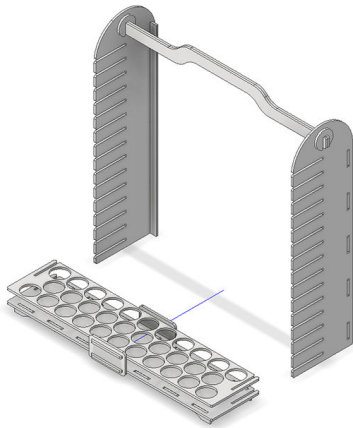
A5



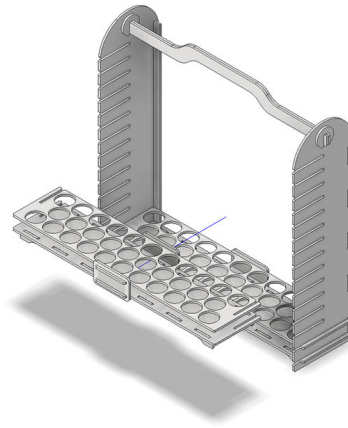
Shelves (26 mm bottles)

The bottom Shelves slide into positions 1, 6,11

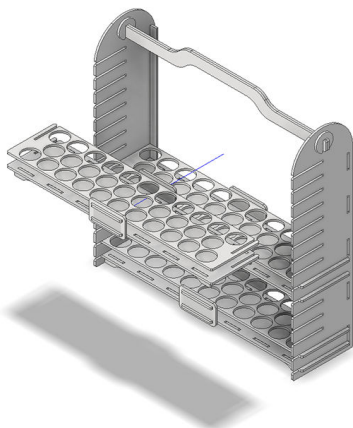
B1



B2



B3



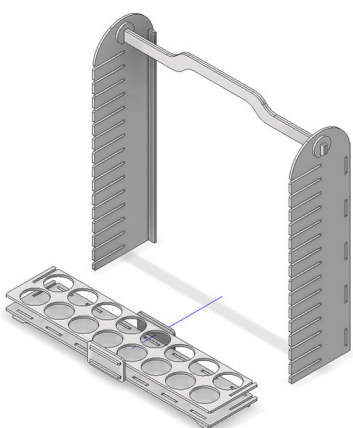
B4



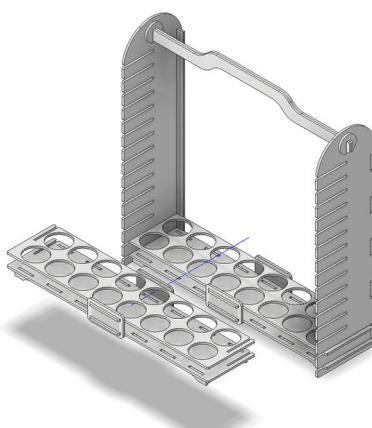
Shelves (Mixed 36 and 26 mm bottles)

The bottom Shelves slide into positions 1, 5 for 36mm, Position 9 for the 26mm and position 15 for the lonely shelf.

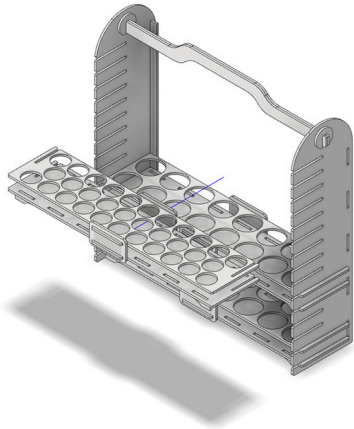
C1



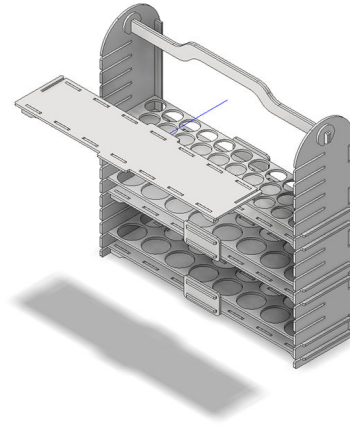
C2



C3



C4



C5

